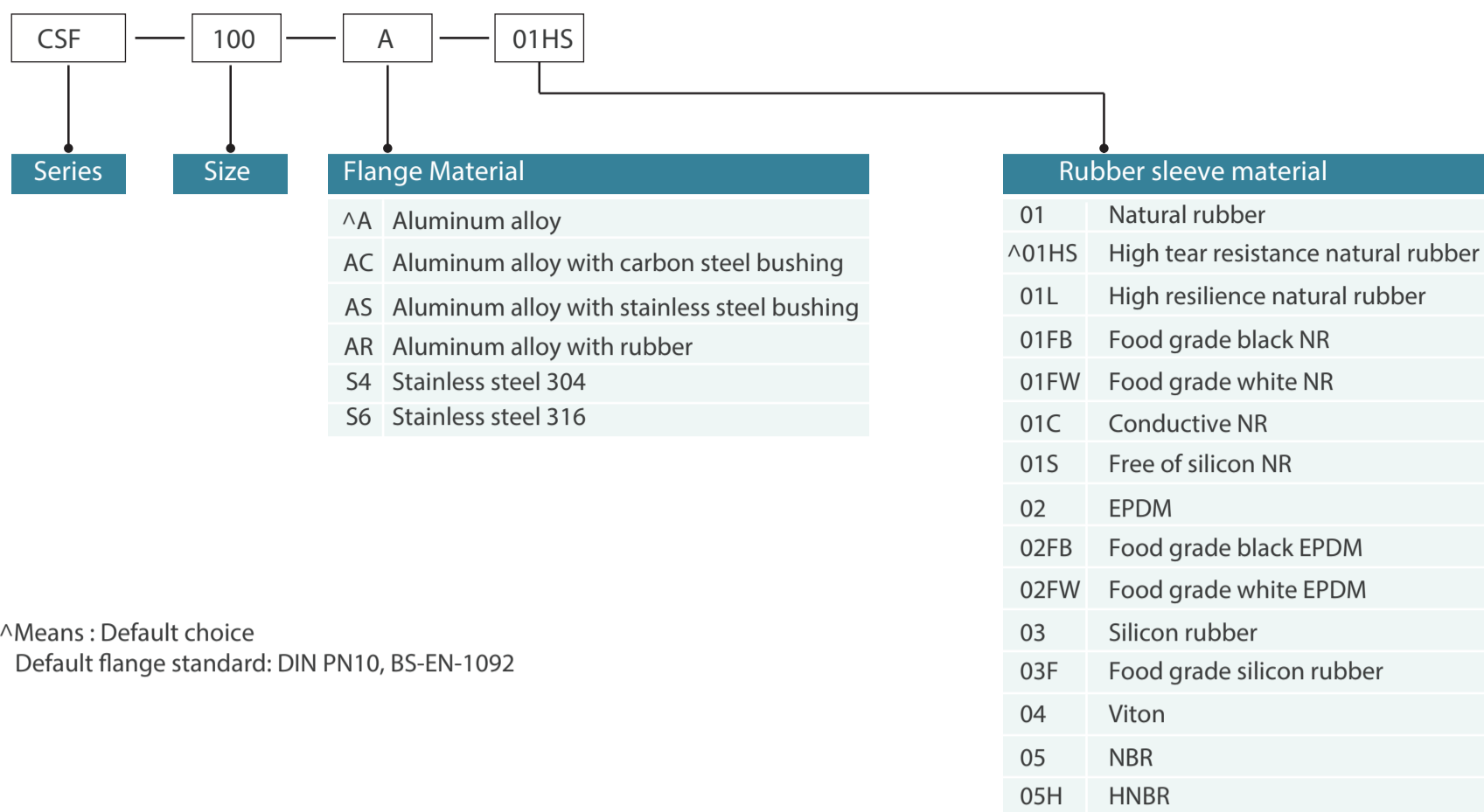


Codification:



^Means : Default choice
 Default flange standard: DIN PN10, BS-EN-1092

Technical specification:

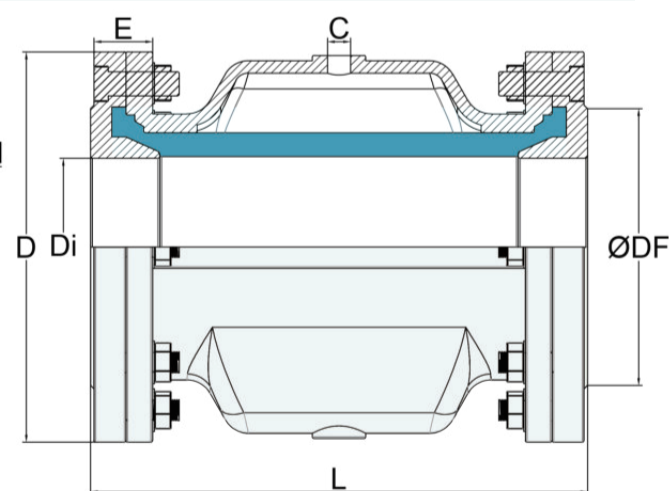
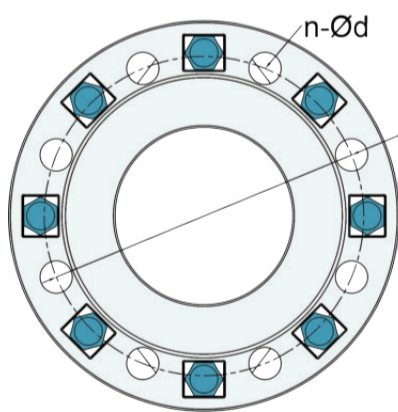
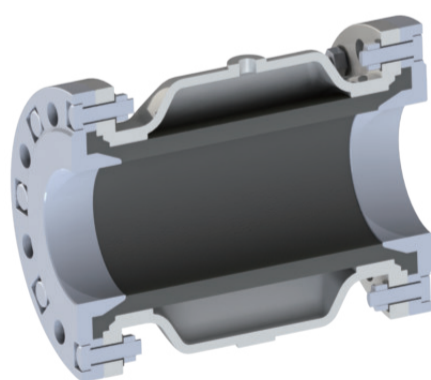
Features	
Design	Pneumatically actuated pinch valve
Sealing principle	Elastic lip seal
Mounting position	Any
Direction of flow	Reversible
Valve function	2/2 way, normally open
Reset method	Rebound resilience
Nominal pressure	PN10
Sleeve feature	Replaceable



Technical data	
Housing	Cast Aluminum alloy
Socket	Cast Aluminum alloy
Seal or sleeve	Natural rubber, EPDM, NBR, HNBR, VITON.....
Working temperature [°C]	-20.....+120
Medium pressure [bar]	0.....6
Pressure difference [bar]	1.....2
Control pressure [bar]	0.....8
Surface treatment	Powder coating

Advantage		
* Compact design	* Free passage	* No plugging
* 100% shut off	* Quick open-close	* Anti-abrasive
* Food grade		

Application
For Pneumatic convey industry
* Powder industry: granual, epoxy painting, glass, plastic
* Chemical industry: acid, fuel, liquid, fertilizer
* Food industry: syrup, ice cream, milk, liquid food
* Others: dust, salt, water, slurry, waste, sludge



DN (mm)	D (mm)	φDF (mm)	n	φd (mm)	φD1 (mm)	L (mm)	C (inch)	E (mm)	GW (kg)	Volume (L**)	PS Max(bar)
40	150	88	4	18	110	155	G 1/4"	26	3.2	0.20	6
50	165	102	4	18	125	183	G 1/4"	30	3.9	0.30	6
65	185	122	4	18	145	185	G 1/4"	28	4.8	0.45	6
80	200	138	8	18	160	228	G 1/4"	31	6.2	0.95	6
100	220	158	8	18	180	280	G 1/4"	35	9.6	1.70	6
125	250	184	8	18	210	348	G 1/4"	40	13.2	3.50	6
150	285	212	8	22	240	418	G 1/4"	43	19.1	7.00	6
200	340	268	8	22	295	558	G 3/8"	60	32.5	15.5	4

* Flange standrad: DIN PN10 , ASME B16.5 Class150lb, BS TABLE E.

** Volume: control volume with closed sleeve.