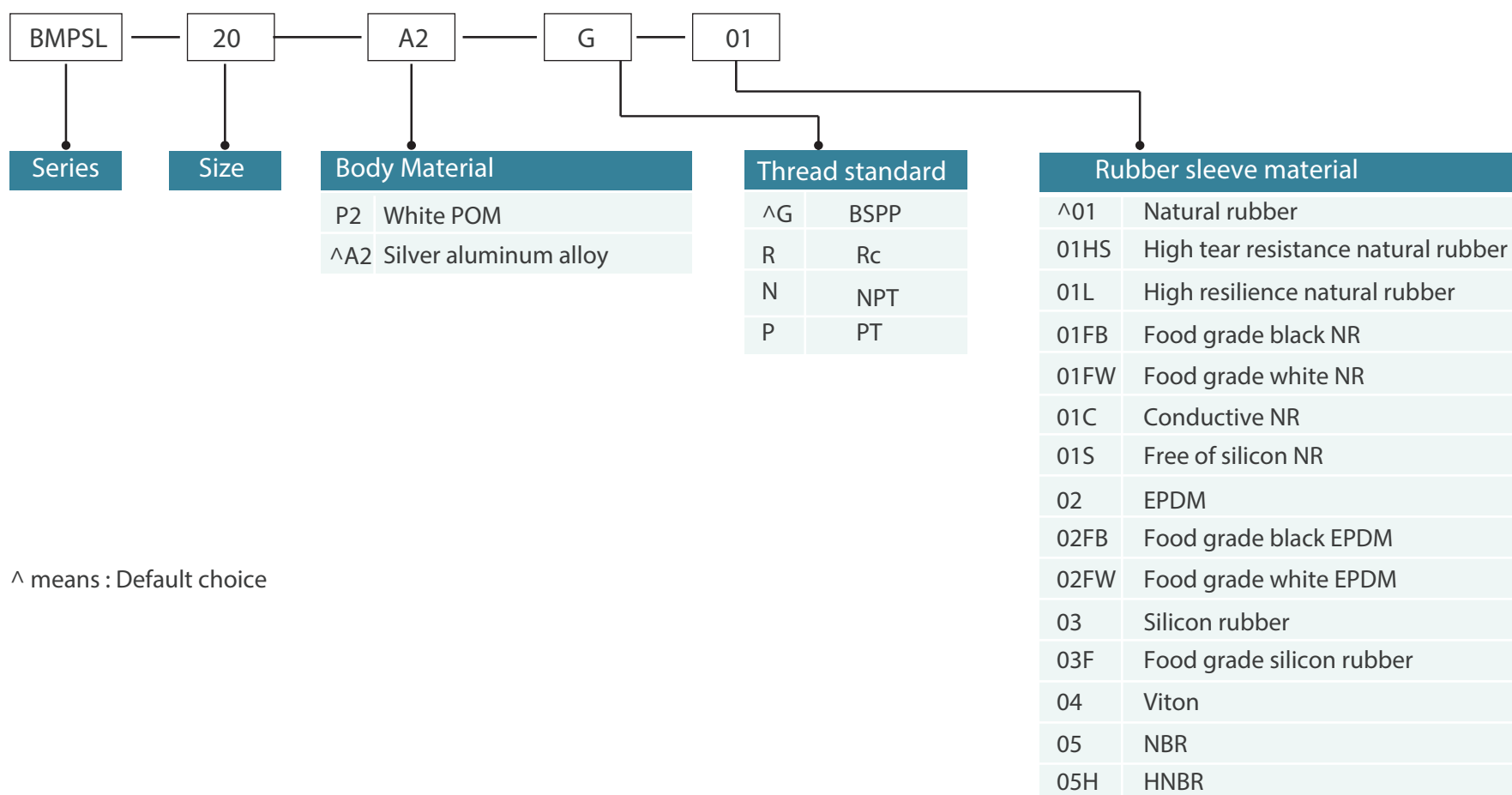


Codification:



^ means : Default choice

Technical specification:

Features	
Design	Pneumatically actuated pinch valve
Sealing principle	Elastic lip seal
Mounting position	Any
Type of mounting	In-line installation
Direction of flow	Reversible
Valve function	2/2 way,normally open
Reset method	Rebound resilience
Nominal pressure	PN10
Sleeve feature	Replaceable

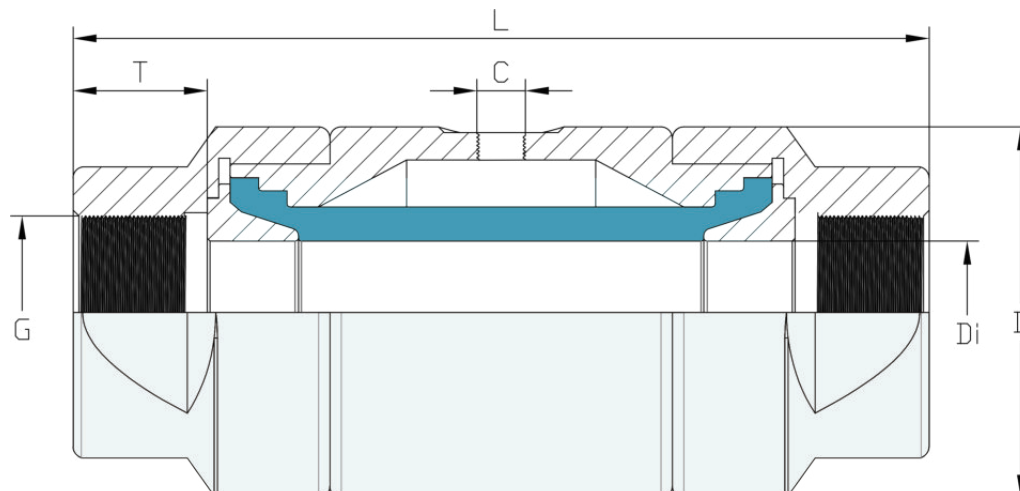
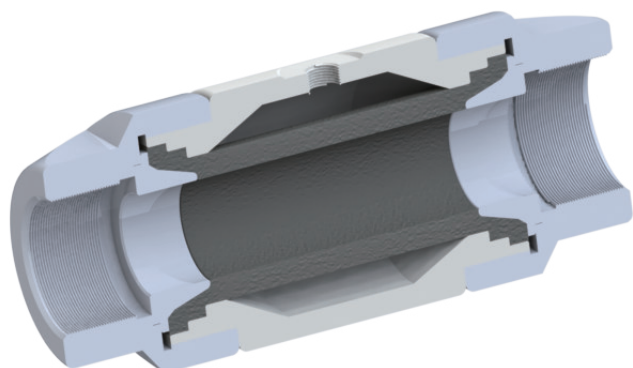


Technical data	
Housing	Aluminum alloy
Socket	White POM
Seal or sleeve	Natural rubber,EPDM,NBR,HNBR,VITON.....
Working temperature [°C]	-20.....+120
Medium pressure [bar]	0.....6
Pressure difference [bar]	1.....3
Optimum control pressure	Medium pressure+Pressure difference

Advantage		
* Compact design	* Free passage	* No plugging
* 100% shut off	* Easy maintenance	* Anti-abrasive
* Food grade	* Anti-corrosive	* Quick open-close

Application
For Pneumatic convey industry
* Powder industry: granual, epoxy painting, glass,plastic
* Chemical industry: acid,fuel,liquid,fertilizer
* Food industry: syrup, ice cream, milk,liquid food
* Others: cable, dust, salt, water,slurry,waste,sludge



DN (mm)	Di (mm)	G (Inch)	L (mm)	D (mm)	T (mm)	C	Vol.l	Weight KG
20	22	3/4"	140	59	16	G 1/8"	0.05	0.50
25	26	1"	150	65	20	G 1/8"	0.07	0.60